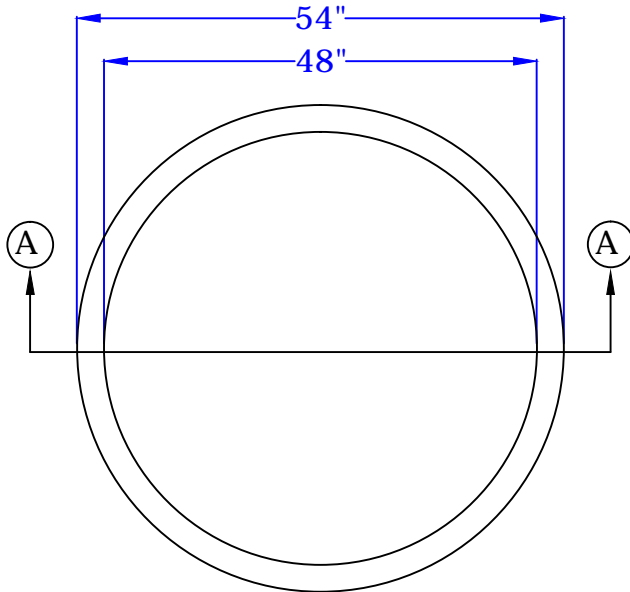


# Rosenberry's Septic Service

8885 Pineville Road, Shippensburg Pa 17257

Phone 717-532-4026 Fax 717-532-7229

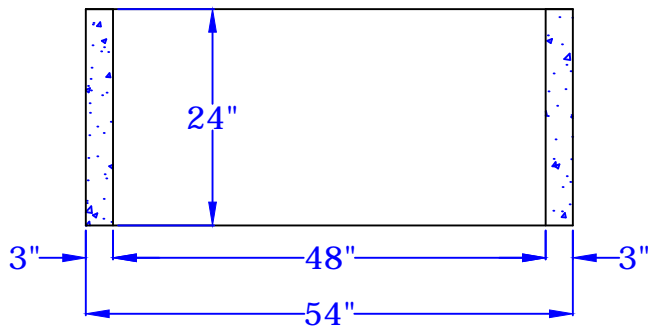
## Well Pit Extensions



Plan View of Well Pit Extension

No Scale

**Well Pit Extensions are available  
in heights of 1ft, 2ft, or 3ft to  
achieve final grade.  
(2ft extension shown)**



AA Section of 2ft Well Pit Extension

No Scale

**This drawing is for informational use only.**  
If you have any questions call Rosenberrys  
Septic Tank Service at 717-532-4026  
Sept 2005, revised Feb 2015