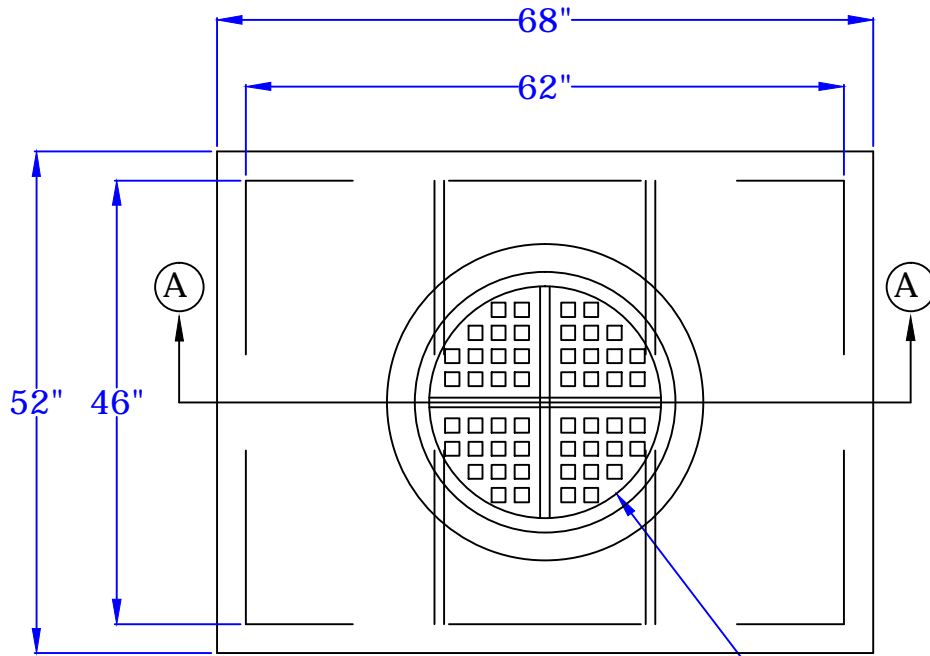


# Rosenberry's Septic Service

8885 Pineville Road, Shippensburg Pa 17257  
Phone 717-532-4026 Fax 717-532-7229

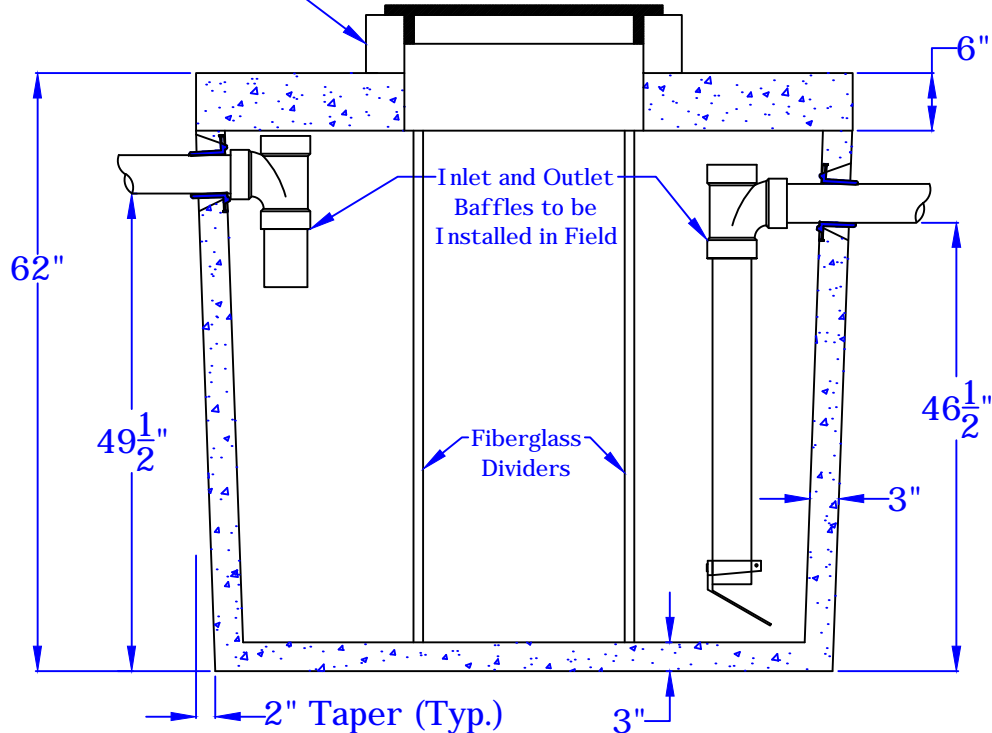
## 500 Gallon Open Oil/Water Separator



Plan View of Lid  
No Scale

24" ID Cast Iron Frame &  
Heavy Duty Cover  
As Required By Local Authority

Concrete Adjustment Rings  
As Required For Final Elevation



AA Section of 500 Gallon Open  
Oil/Water Separator  
No Scale

This drawing is for informational use only.  
If you have any questions call Rosenberrys  
Septic Tank Service at 717-532-4026  
Sept 2005, revised Feb 2011