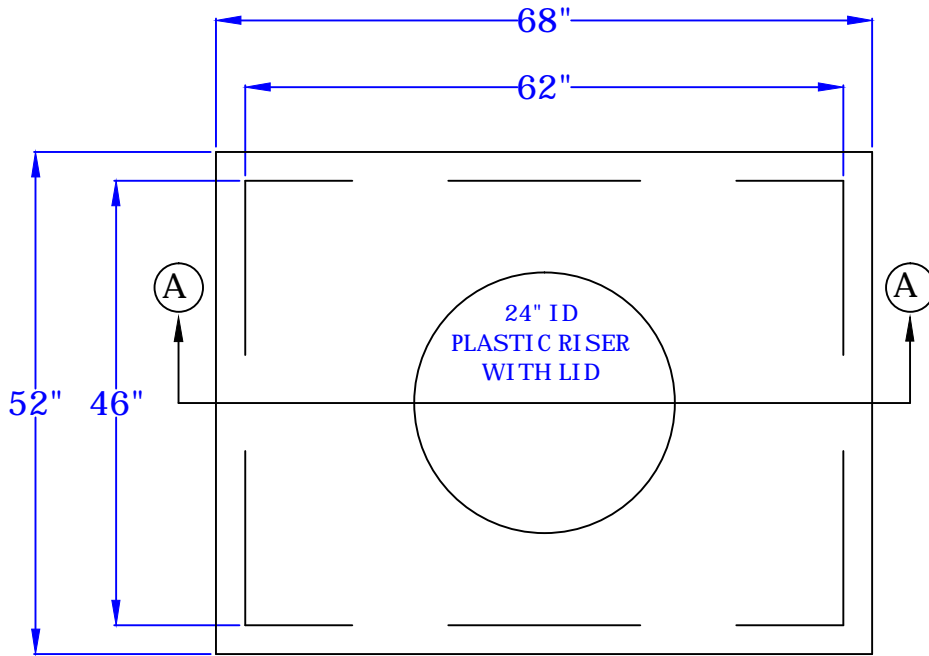


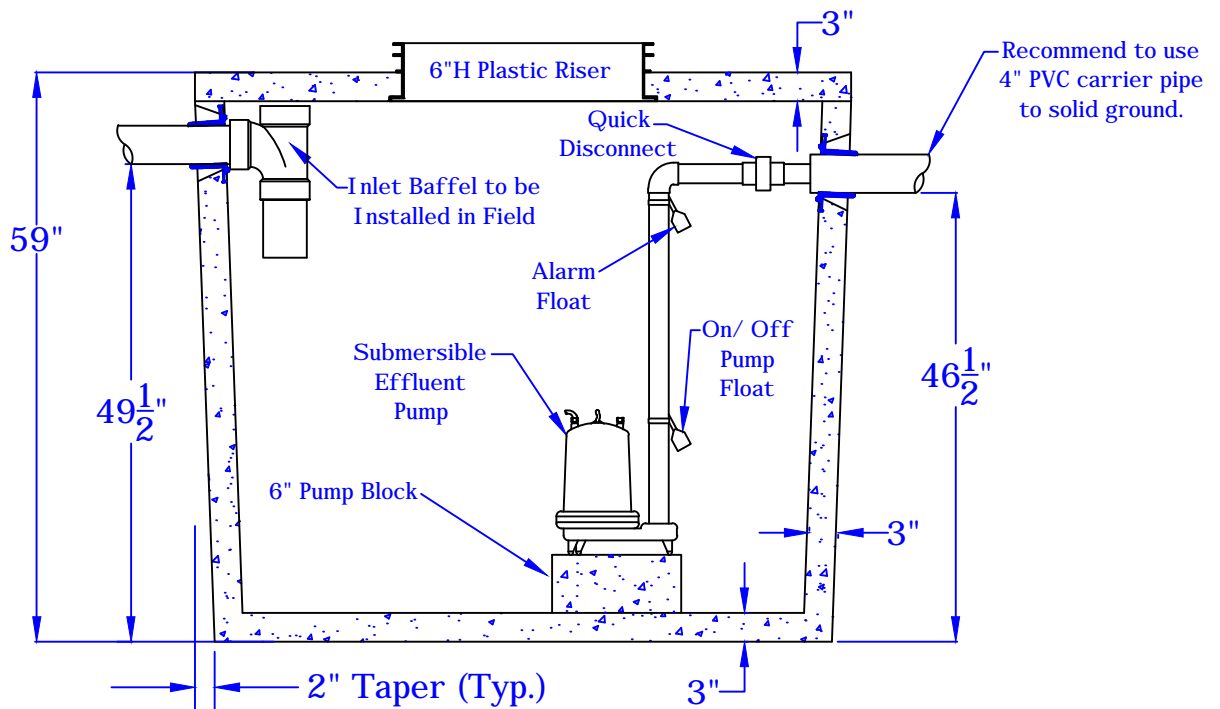
Rosenberry's Septic Service

8885 Pineville Road, Shippensburg Pa 17257
 Phone 717-532-4026 Fax 717-532-7229

500 Gallon Dose Tank



Plan View of Lid
 No Scale



AA Section of 500 Gallon Tank
 No Scale

NOTE:
 Tank shown with effluent pump.
 Pump to be purchased separately.

This drawing is for informational use only.
 If you have any questions call Rosenberrys
 Septic Tank Service at 717-532-4026
 Sept 2005, revised Feb 2011